

# Plug-in card module CM-MBS



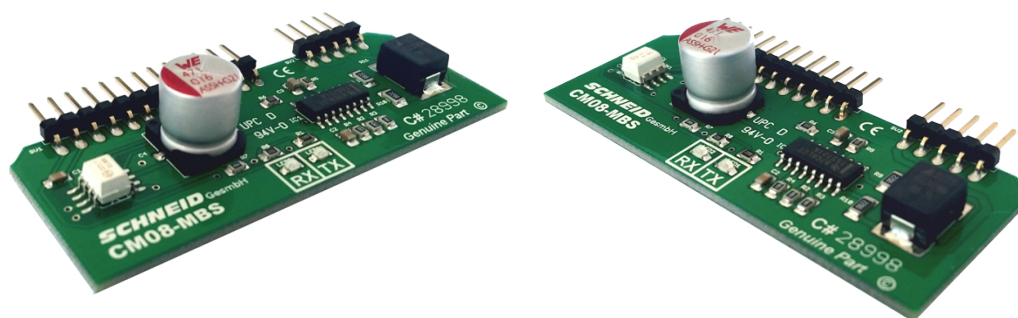
Schneid GesmbH | Gewerbering 16 | A-8054 | Graz/Pirka | Tel: +43 (316) 285022

Products, data sheets, documentation, MR12-SCHEMA-calculator: [www.schneid.at](http://www.schneid.at)

## Plug-in card module CM-MBS (Mbus-Slave)

for SCHNEID communication base module

Order number:	130.09551
Order code:	Steckkartenmodul CM-MBS



### Overview:

The SCHNEID plug-in card module CM-MBS (Mbus slave) is only suitable for the SCHNEID communication base modules of the module control series.

With this module card, the control device can be connected to an Mbus data network as a slave.  
This module requires 3 times the standard Mbus load!  
Maximum baud rate 4800 bps

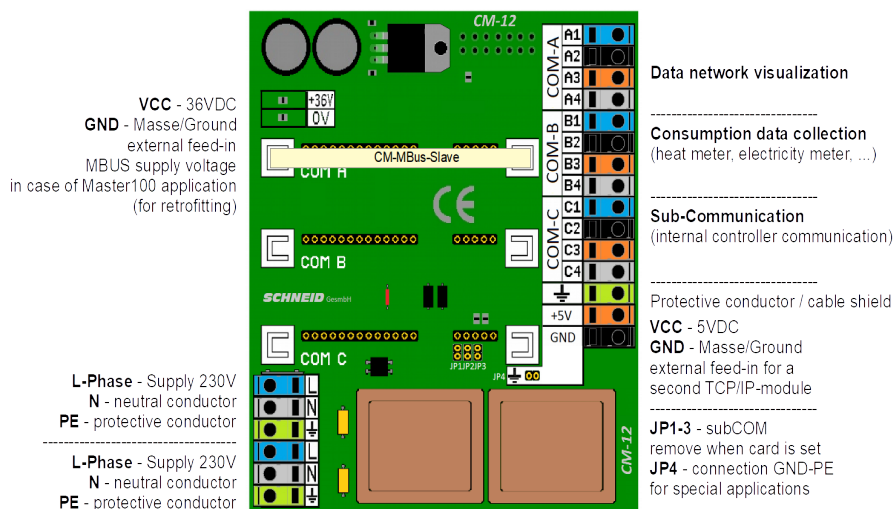
### Terminal plan:

The terminal assignment refers to the respective slot.

COM-A	Terminal A1-A4
COM-B	Terminal B1-B4
COM-C	Terminal C1-C4

#### Connection to terminals:

1	Mbus+
2	Mbus-
3	Mbus+
4	Mbus-



# **Plug-in card module CM-MBS**

## **Scope of delivery:**

SCHNEID plug-in card module CM-MBS

## **Technical specifications:**

Intrastat Number:	8537.10.91.90
Country of origin	EU/AT
Height, width, depth (in mm)	32x65x14
Weight (in kg)	0,009
Degree of protection	IP-00
Ambient temperature	0°C....+40°C
Operating voltage	5VDC
Power consumption	5mA
Max baud rate	Triple standard load (4.5mA)
Connection type	2400 Bit/s
Mounting type	Pin headers for base module
Operating time	Plug-in card module
Degree of pollution	Continuous operation
Country of origin	2